

RGBW LED MODULES



Features

- Powered by high output 5050 LED.
- Constant voltage.
- Clear 160° optic lens.
- 20 pcs per string.
- CE, RoHS, UL, TUV, BIS, CB and LM-80 certified.

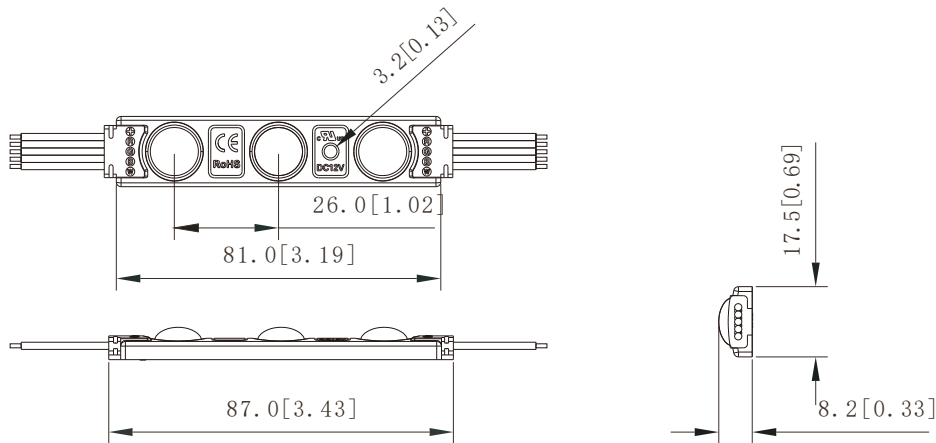
Application

- Apply to 8–20 cm depth signs at airports, metros, banks, buildings and shopping malls, etc.

Parameters

Items	Parameters
Part Number	ZH03QA8
CCT (K)	RGBW
Beaming Angle (°)	160°
CRI (Ra)	≥75
Luminous Flux (lm)	R6 G22 B5 W20
Voltage (V)	DC12
Power (W)	0.96
Driving Method	Constant Voltage
Dimension (mm)	87*17.5*8.4
Working Tem. (°C)	-25 ~ +60
Storage Tem. (°C)	-25 ~ +70
Protection Grade	IP65

Dimension



Product wiring diagram

