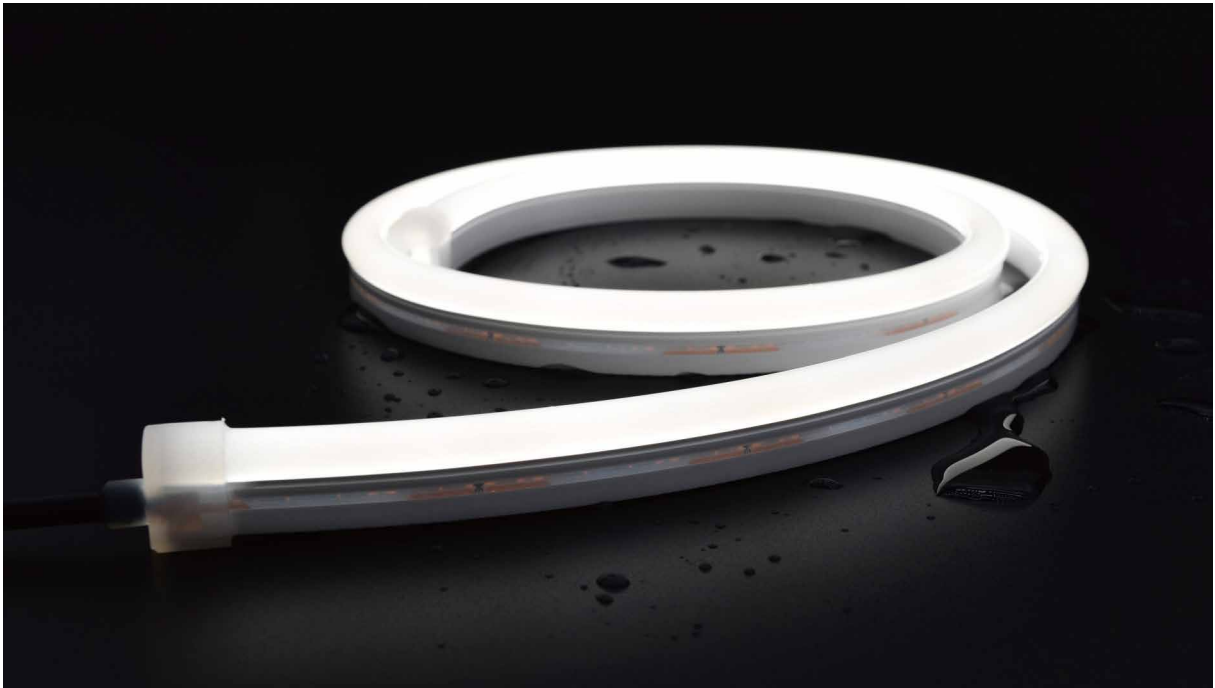


Model: SECOJC1-D1225

# SILICONE LED FLEX NEON

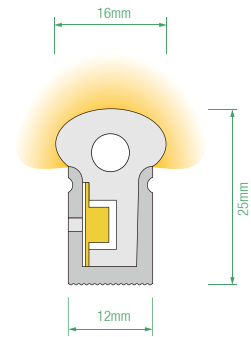
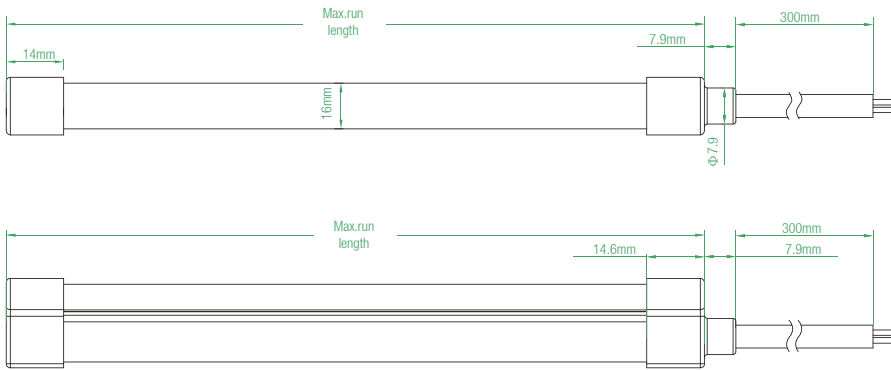




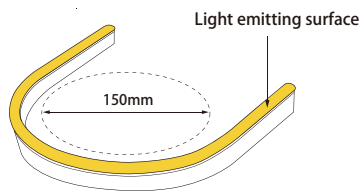
**Model: SECOJC1-D1225**

- High light transmittance, environmental protection grade silicone material, integrated extrusion molding process.
- Unique optical light distribution structure design, uniform lighting surface and no shadow.
- IP67 protection level, salt solution resistance, acids & alkalis, corrosive gases, fire and UV
- Excellent toughness, simple and stylish appearance, delicate and unique
- 3 years warranty, working life  $\geq 30000$  hours;

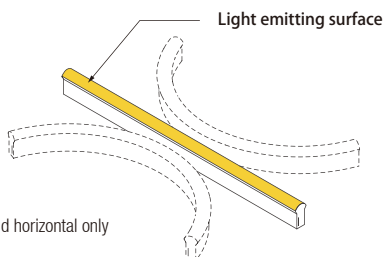
**Dimension structure**



Across section size's picture



Min bending diameter



Bend horizontal only

**Electrical Parameter**

Voltage	DC24V
LED PIN temperature	Max. 65 C
Storage Temperature	-25 C ~ 60 C
Ambient temperature	Min.-25°C, Max ( Table below )
CRI	>90

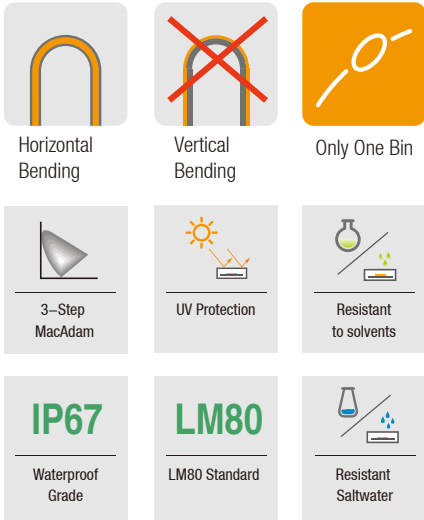
**Specification**

Power	5w/m	10w/m	15w/m
Efficacy(lm/w)@4000K	32lm/w	31.8lm/w	29.4lm/w
Max ambient temperature	50 C	45 C	35 C

Due to the tolerance of the production and electrical components, output value and electrical power can vary up to 10%

**SHENZHEN LINGBENYANG IND. CO., LTD.**

Tel: +86-755-83544570 Fax: +86-755-83056229 E-mail: info@lbyled.com Http:// www.lbyled.com  
 Company Address.: 28F, Luban Building, Hongli West Road, Futian District, Shenzhen 518034, China  
 Factory Address: 6F, Xinyongfeng Industrial Area, Yingrenshi Village, Shiyan Town, Bao'an District, Shenzhen 518108, China



Finished CCT (K)	Unit cut (mm)	CRI	Power (W)	Lumen (LM/m)	Efficacy (LM/w)	Max.run length(m)	CV/CC
● 2100 ±100	50	>90	5	124	24.8	27	CC/CV
			10	237	23.7	17	
			15	332	22.1	14	
● 2400 ±100	50	>90	5	139	27.8	27	CC/CV
			10	270	27.0	17	
			15	382	25.5	14	
● 2700 ±100	50	>90	5	146	29.2	27	CC/CV
			10	286	28.6	17	
			15	400	26.7	14	
● 3000 ±100	50	>90	5	144	28.8	27	CC/CV
			10	286	28.6	17	
			15	395	26.3	14	
● 3500 <sup>+200</sup> / <sub>-100</sub>	50	>90	5	153	30.6	27	CC/CV
			10	304	30.4	17	
			15	428	28.5	14	
● 4000 <sup>+300</sup> / <sub>-200</sub>	50	>90	5	160	32.0	27	CC/CV
			10	318	31.8	17	
			15	441	29.4	14	
● 5000 <sup>+300</sup> / <sub>-200</sub>	50	>90	5	153	30.6	27	CC/CV
			10	301	30.1	17	
			15	423	28.2	14	
● 6000 <sup>+300</sup> / <sub>-100</sub>	50	>90	5	159	31.8	27	CC/CV
			10	313	31.3	17	
			15	436	29.1	14	
● TW	50	>90	● 2.5	73	29.2	5	CV
			● 2.5	75	30.0	5	
			● 5	142	28.4	5	
			● 5	150	30.0	5	
● TW	50	>90	● 5	156	31.2	5	CV
			● 10	291	29.1	5	
			● 7.5	207	27.6	5	
			● 7.5	216	28.8	5	
● TW	50	>90	● 15	403	26.9	5	CV
			5	55.6	11.1	35	
			10	123	12.3	23	
● R	50	--	15	172	11.5	18	CC/CV
			5	181	36.2	27	
			10	340.7	34.1	17	
● G	50	--	15	426	28.4	14	CC/CV
			5	32	6.4	27	
			10	61.4	6.1	17	
● B	50	--	15	85.7	5.7	14	CC/CV
			5	49.6	9.9	35	
			10	102.5	10.3	23	
● Amber	50	--	15	126.7	8.4	18	CC/CV
			5	65.6	13.1	27	
			10	131.7	13.2	17	
● Pink	50	--	15	175.8	11.7	14	CC/CV

- TW: Tunable white, Testing CCT: 2700K+5400K
- Max series length refers to single side feed
- The above color temperature is the finished-product color temperature.
- The given data are typical values due to the tolerance of the production and electrical components, output value and electrical power can vary up to 10%
- Please don't walk on it without protection.

- TW: Tunable white, Testing CCT: 2700K+5400K
- Max series length refers to single side feed
- The above color temperature is the finished-product color temperature.
- The given data are typical values due to the tolerance of the production and electrical components, output value and electrical power can vary up to 10%
- Please don't walk on it without protection.

Power (W)	Finished CCT (K)	Lumen (LM/m)	Efficacy (LM/w)	Unit cut (mm)	Max.run length(m)	CV/CC
5	R	13.9	8.3	62.5	5	CV
	G	46.8	28.1			
	B	10	6.0			
	RGB	70.4	14.1			
10	R	29.1	8.7	62.5	5	CV
	G	86.3	25.9			
	B	16.6	5.0			
	RGB	131.6	13.2			
15	R	44.5	8.9	62.5	5	CV
	G	102	20.4			
	B	20.2	4.0			
	RGB	161.2	10.7			
5	R	9	7.2	62.5	5	CV
	G	36.7	29.4			
	B	8.5	6.8			
	W(4800-5300K)	38	30.4			
	RGBW	91.7	18.3			
10	R	16.6	5.0	62.5	5	CV
	G	65.6	19.7			
	B	16.5	5.0			
	W(4800-5300K)	84	33.6			
	RGBW	180.8	18.1			
15	R	29.5	5.9	62.5	5	CV
	G	82.2	16.4			
	B	22.4	4.5			
	W(4800-5300K)	112.8	30.1			
	RGBW	254.7	17.0			
5	R	8.5	6.8	62.5	5	CV
	G	37	29.6			
	B	8.9	7.1			
	W (3400-4000K)	35.8	28.6			
	RGBW	92	18.4			
10	R	15.6	4.7	62.5	5	CV
	G	69.4	20.8			
	B	17.4	5.2			
	W (3400-4000K)	77.2	30.9			
	RGBW	181.7	18.2			
15	R	28.4	5.7	62.5	5	CV
	G	84	16.8			
	B	23.8	4.8			
	W (3400-4000K)	105	28.0			
	RGBW	253	16.9			

- TW: Tunable white
- Max series length refers to single side feed
- The above color temperature is the finished-product color temperature.
- The given data are typical values due to the tolerance of the production and electrical components, output value and electrical power can vary up to 10%
- Please don't walk on it without protection.

Power (W)	Finished CCT (K)	Lumen (LM/m)	Efficacy (LM/w)	Unit cut (mm)	Max.run length(m)	CV/CC
5	R	9.2	7.4	62.5	5	CV
	G	36.3	29.0			
	B	8.8	7.0			
	W (2400-3000K)	34.5	27.6			
	RGBW	90.6	18.1			
10	R	16.4	4.9	62.5	5	CV
	G	69.7	20.9			
	B	17.2	5.2			
	W (2400-3000K)	75	30.0			
	RGBW	179.4	17.9			
15	R	30.3	6.1	62.5	5	CV
	G	84.2	16.8			
	B	23.4	4.7			
	W (2400-3000K)	101.7	27.1			
	RGBW	255.2	17.0			
5	R	8	6.4	62.5	5	CV
	G	34.4	27.5			
	B	8.3	6.6			
	W (2400-3000K)	33.5	26.8			
	RGBW	83.4	16.7			
10	R	14.8	4.4	62.5	5	CV
	G	61.7	18.5			
	B	15.8	4.7			
	W (2400-3000K)	70.7	28.3			
	RGBW	161.5	16.2			
15	R	27.7	5.5	62.5	5	CV
	G	77	15.4			
	B	21.6	4.3			
	W (2400-3000K)	96.8	25.8			
	RGBW	226	15.1			

Cautions:

The unused product and unused product after unpacking should be sealed with the packaging bag to avoid prolonged exposure.

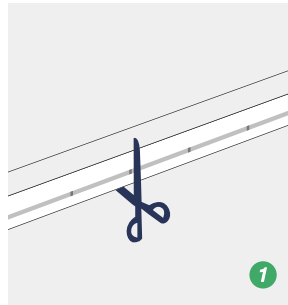
Tests showed that nail and benzene substances will have yellowing effects on silicone gel; in the new indoor decoration environment, epoxy floor paint, wall

paint, wallpaper adhesive, various decoration materials or new furniture, possibly release of nail and benzene substances, it is recommended to remove formaldehyde and benzene or ventilate for a period of time in the new indoor decoration environment, and then install the neon strip to avoid yellowing of the silicone gel.

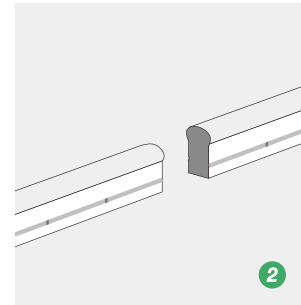
## Cutting Method & Seal the section



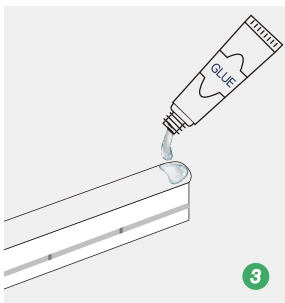
It is feasible to cut along the black point on the side of led strip. Do not cut optionally to avoid damage to led strip



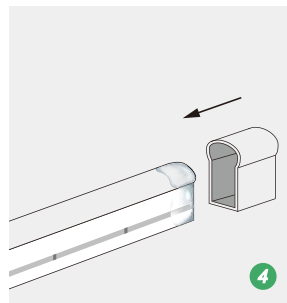
Cut the appropriate place



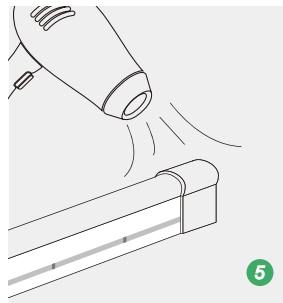
Finished the cutting



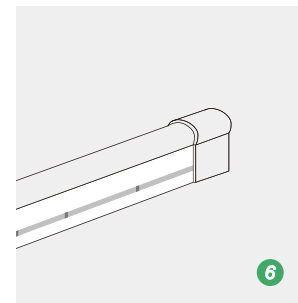
coat the section with glue uniformly after cutting



Insert the section into the plug according to direction of arrow



Dry the plug with hot wind or natural wind until make sure the installation is firm



The effect of finished plug installation

## Mounting Way



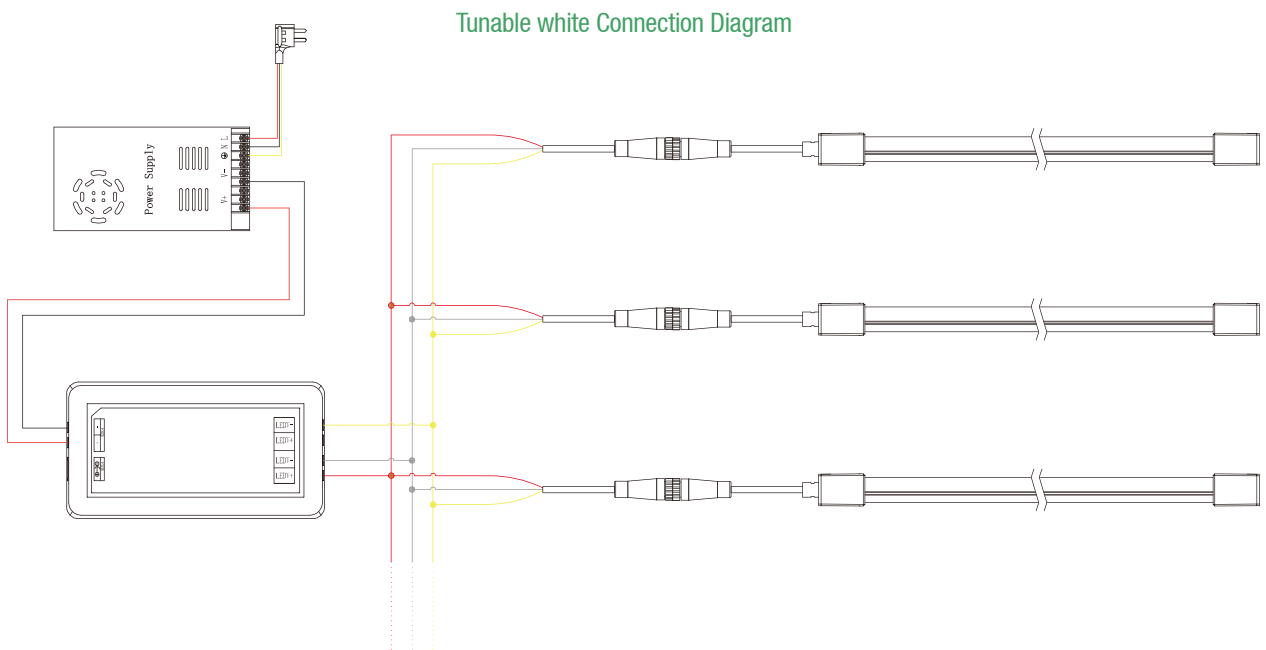
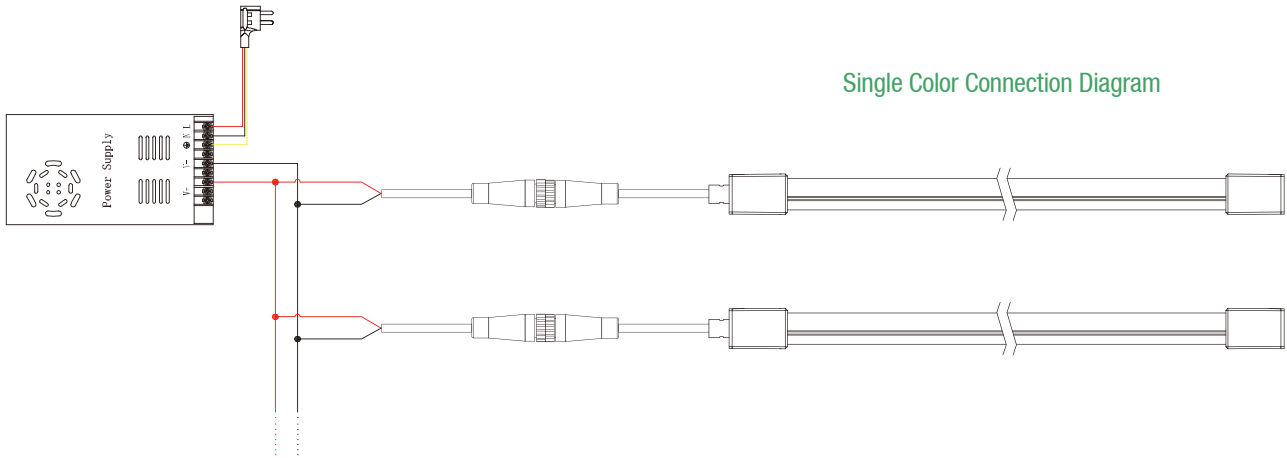
Aluminium mounting clips  
20x15x18.4mm(L x W x H)



Aluminium Profile  
1000x15x18.4mm(L x W x H)

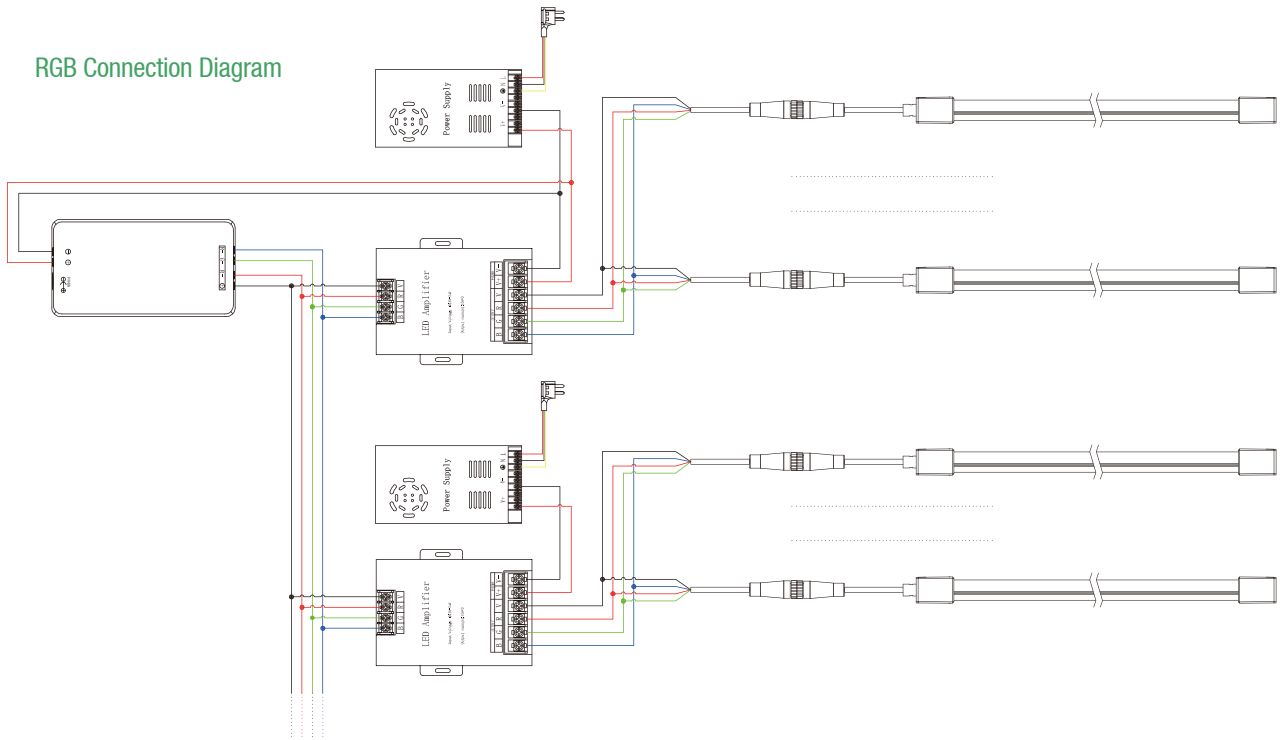


## Wiring diagram



## Wiring diagram

RGB Connection Diagram



RGBW Connection Diagram

