

BENDABLE ADDRESSABLE **RGB** LED FLEX NEON

Model: SH60JB1-N1220



Features

- 1) 5050LED Chips with breakpoint resume IC built-in, One single broken light will not affect signal transmission.
- 2) Unique optical distribution design, light emits evenly with high brightness.
- 3) Side emitting light source, light-emitting angle 120°.
- 4) Environmentally friendly silicone material, good flexibility with simple appearance.
- 5) IP65 protection level, acid, alkali, salt corrosion resistance, UV resistance.
- 6) ERP spectroscopic standard, single bin supply, good color consistency.
- 7) CE, RoHS, UL, TUV, BIS, CB and LM-80 certified.
- 8) 3 years warranty.

Application

Home decorative lighting, landscape lighting, city lighting, the places that need linear lighting effect etc.

Parameters

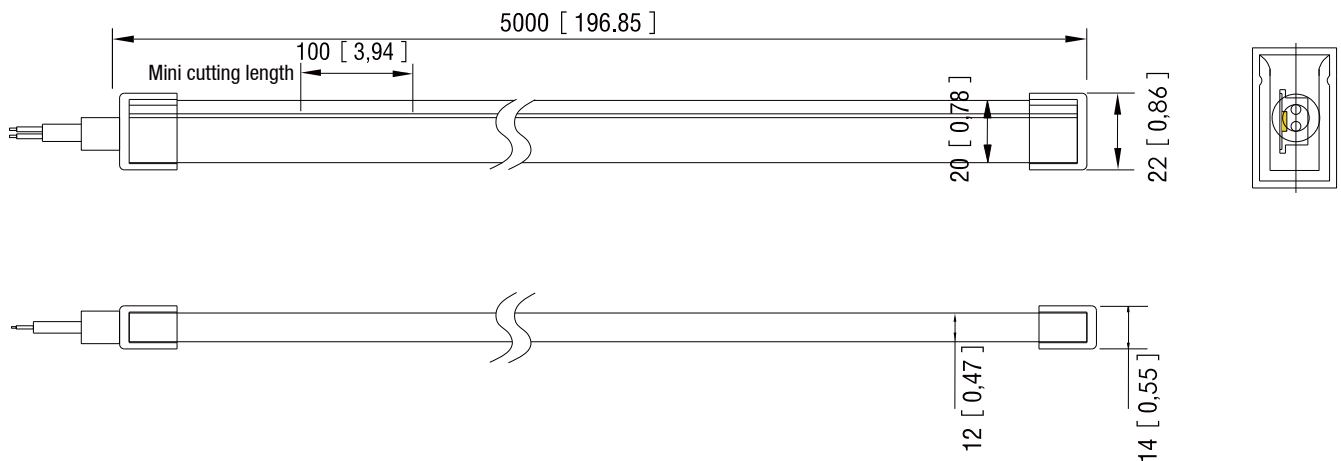
Part Number	SH60JB1-N1220	Color	Wavelength	Color/CCT(K)	Luminous Flux (LM/M)	Efficacy(LM/W)
Dimensions	5000*12*20mm	R	630-635	● Red	12	2
LED Qty/m	60LEDs/m	G	520-525	● Green	36	6
Voltage	DC24V	B	465-470	● Blue	7.8	1.3
Input Current (A)	0.5A (1m)					
Power	6W/M					
Power Range	5.4~6.6W					
Times of Power On and Off	>10000 Times					
IP Grade	IP65					

Remarks:

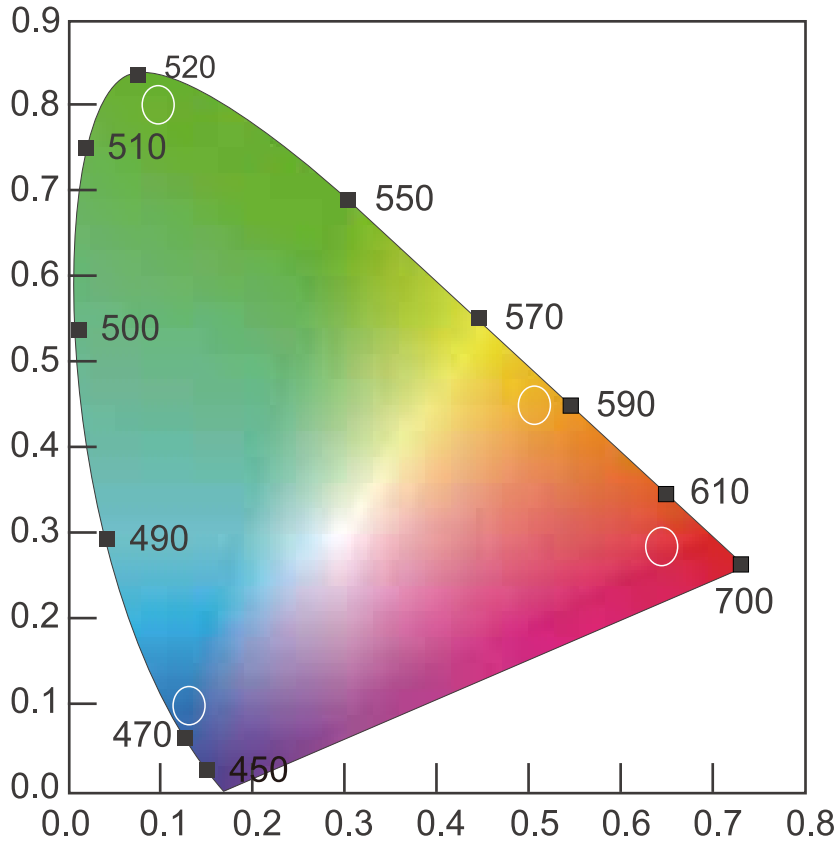
- 1) The given data are typical values due to the tolerance of the production and electrical components, output value and electrical power can vary up to 10%.
- 2) Testing standards refer to IES LM-79-08.
- 3) This series of light strips can be used with related controllers

Dimension

(Unit: mm)

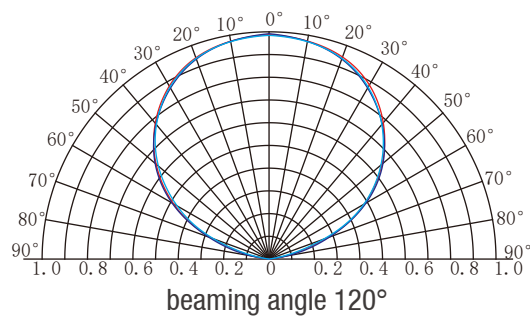


CIE Color Coordinate

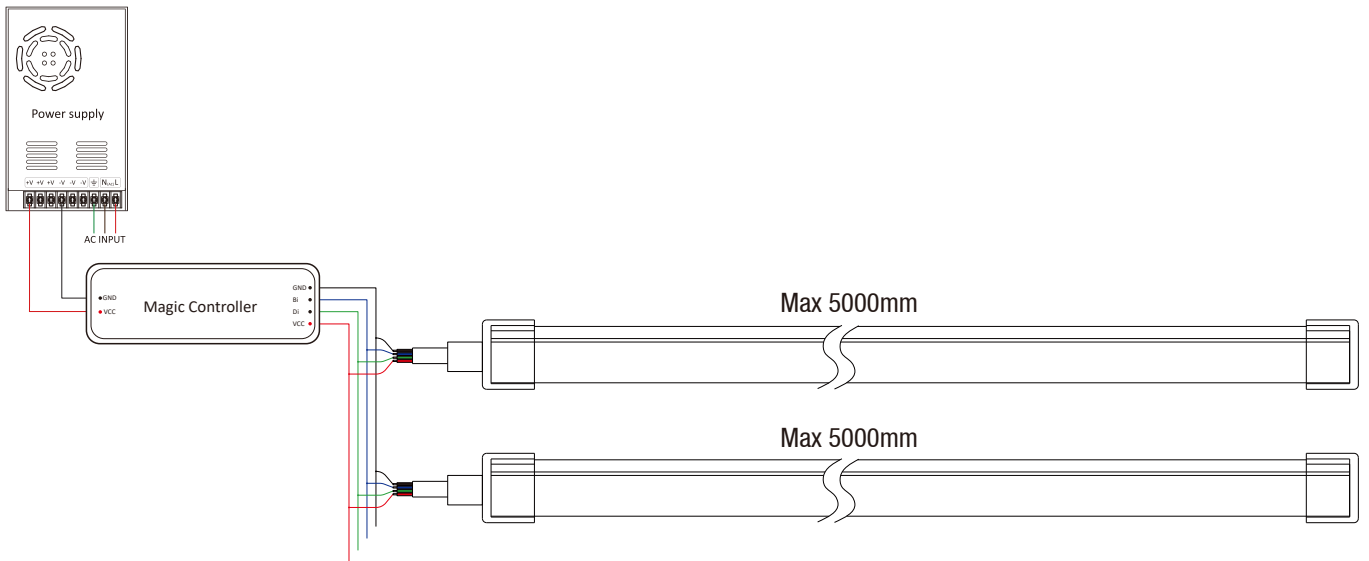


Colour	Wave length
R	630-625
G	520-525
B	465-470

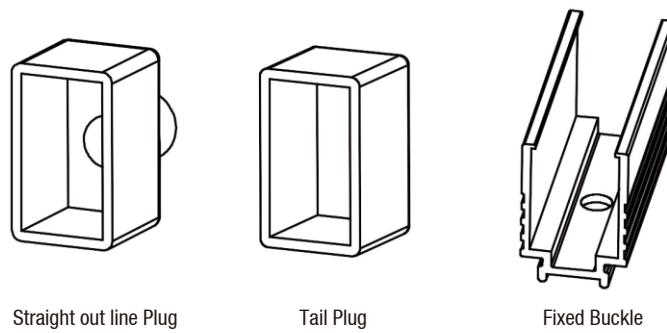
Beaming Angle



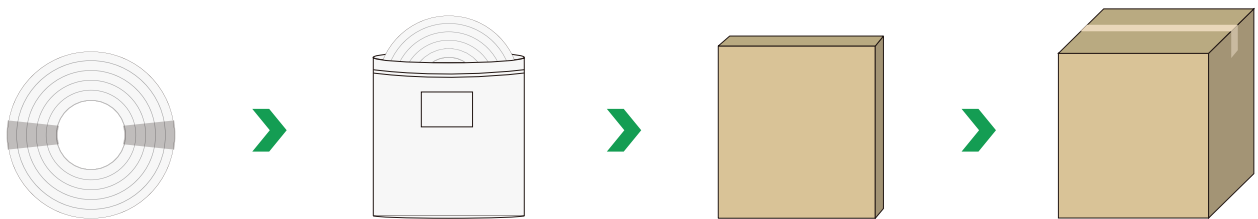
Wire Connection



Mounting Accessories



Packing information



5 meters per roll

One roll per antistatic bag

1 Bag per inner box

10 Box per carton

Part Number	Outer Box Dimension (mm)	Inner Box Dimension (mm)	Quantity Per Carton (m)	Net Weight (kg)	Gross Weight (kg)
SH60JB1-N1220	L365*W365*H390	L350*W350*H35	50	13.7	17.3

Given the packing manner difference, the actual packing information is subject to that for the real products.

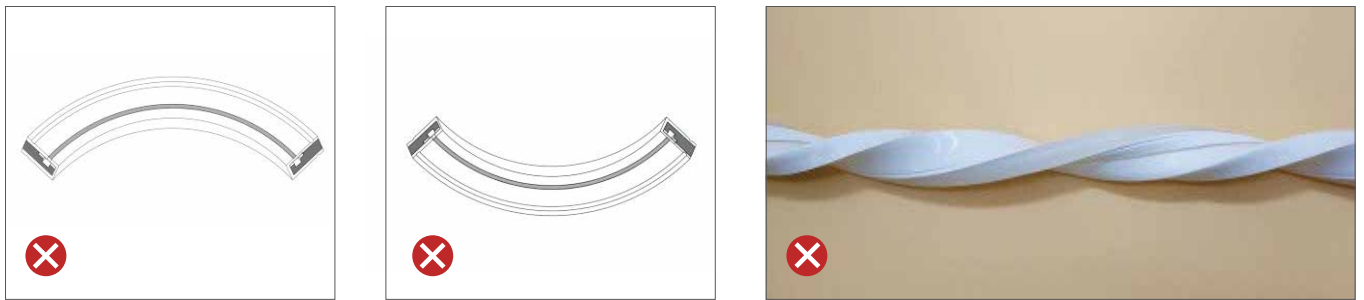
Bending Direction

Please note when installing the strip, not all directions can be bent, bending shape, bending diameter size and direction, please follow the legend below to avoid damage to the LED strip.

Correct Way to Bend

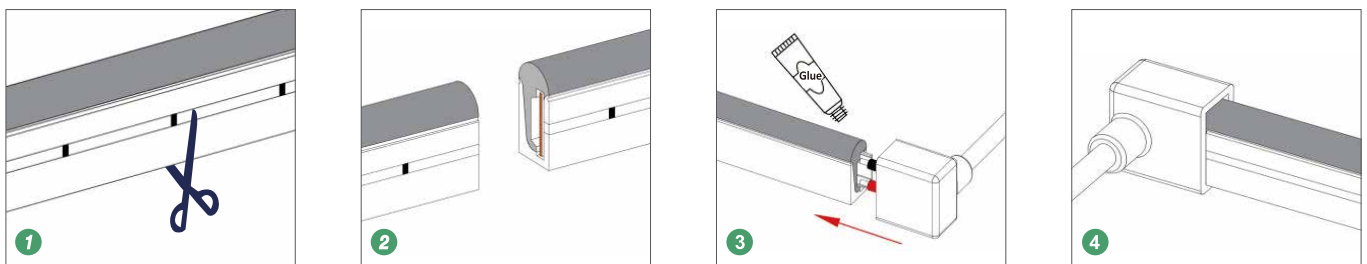


Wrong Way to Bend

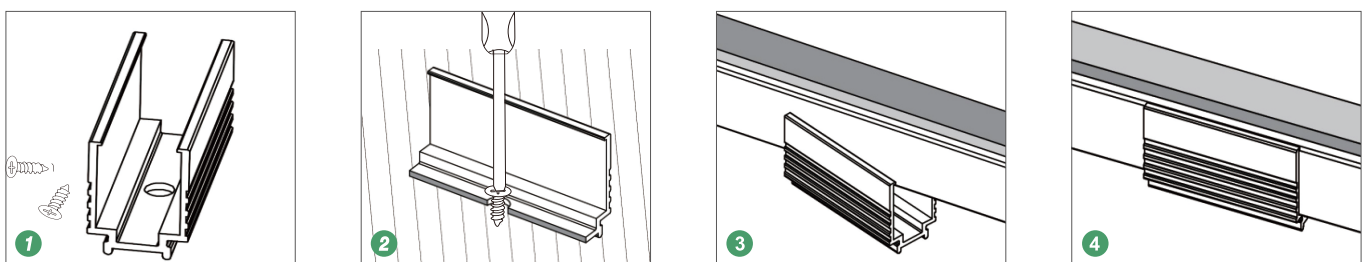


Installation Method

Shear Mounting



Accessories installation



Instructions

- 01) Disassembling or modifying the product is not allowed.
- 02) Installation with power on is not allowed.
- 03) Any organic solvent chemical is not allowed.
- 04) Isolation and corrosion prevention on all wiring points and wire ends.
- 05) Make sure the power wire is big enough and ensure the voltage and connection are all correct before power on.
- 06) Installation, maintenance should be done by professional staff.
- 07) The power wire between power supply and LED strips should be less than two meters to keep the same brightness on all parts.
- 08) Do not power on during installation or assembly of the light strip, to avoid short-circuiting and burning out of the light strip due to misoperation during the operation
- 09) The lamp beads can only be powered on when they are connected, installed and correct.
- 10) When installing, try to avoid excessive bending and twisting of the light strip, so as not to damage the conductive components and cause defects.
- 11) The LED flexible light strip can only be cut at the place where the cut mark is printed on the light strip. Cutting at other places will damage the circuit circuit of the light strip and cause some lamp beads to not light up.
- 12) The maximum bending diameter of this product: >100mm.

Declaration

- 01) To ensure the safety, the broken wires need to be replaced by the manufacturer or the service agent, or by the qualified staff.
- 02) The given data in the specification is the laboratory data, there may be discrepancy found in the actual products.
- 03) The given drawings in the specification are only for reference, there may be discrepancy found in the actual products.
- 04) The products are subject to change without prior notification.



Official Website



WeChat Public

SHENZHEN LEADBEYOND LINEAR LIGHTING CO., LTD.

Tel: +86-755-83056231 info@leadbeyondled.com www.leadbeyondled.net www.leadbeyondled.com

Company Address.: 28F, Luban Building, Hongli West Road, Futian District, Shenzhen 518034, China

Factory Address: 3F, 4F and 6F, Buiding A&B Xinyongfeng Industrial Area, Yingrenshi Village, Shiyan Town, Bao'an District, Shenzhen 518108, China