

FLEXIBLE **RGB** LED WALL WASHER

Model: SH60JC3-G1212-Q



Features

- 1) Revolutionary wall wash lighting: high light efficiency, long product life, and high-cost performance.
- 2) Wall wash space: up to 1 meter.
- 3) Multiple light-emitting angle: 30°.
- 4) Quick connection system with solderless accessories provided.
- 5) CE, RoHS, UL, TUV, BIS, CB and LM-80 certified.
- 6) 3 years warranty.

Application

Up to 1M decorative wall washing, wildly beneficial for lighting designs.

Parameters

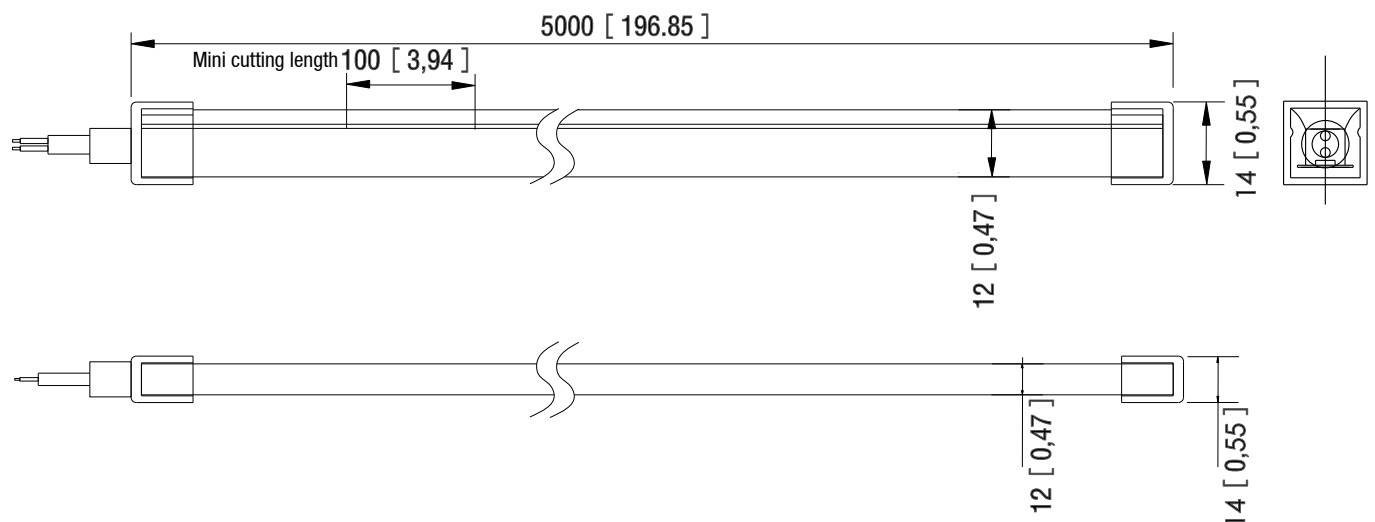
Part Number	SH60JC3-G1212-Q	Color	Wavelength	Color	Beaming Angle	Luminous Flux (LM/M)	Efficacy (LM/W)
Dimensions	5000*12*12mm	R	620-625	Red	≥30°	70	18
LED Type	5050	G	520-525	Green	≥30°	200	50
LED Qty/m	60LEDs/m	B	465-470	Blue	≥30°	40	10
Voltage	DC24V						
Input Current (A)	0.5A (1m)						
Power	12W/M						
Power Range	10.8~13.2W						
Times of Power On and Off	>10000 Times						
IP Grade	IP65						

Remarks:

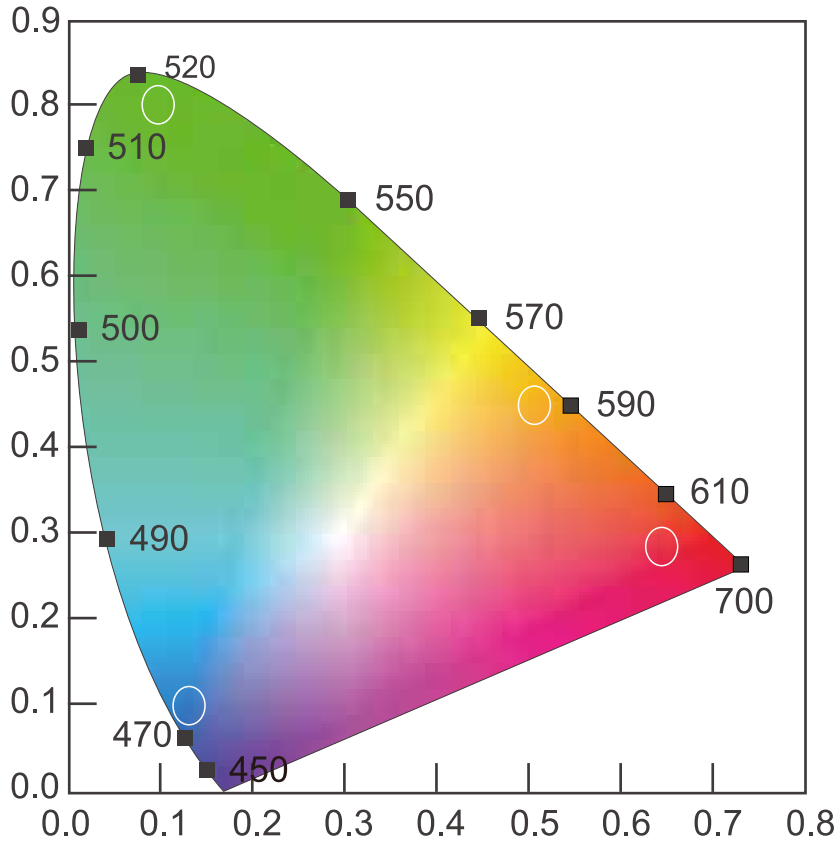
- 1) Data are only for reference. The limit of tolerance is plus or minus 10%.
- 2) Testing standards refer to IES LM-79-08.
- 2) When power is over 10W/M, the aluminum profile is necessary.

Dimension

(Unit: mm)

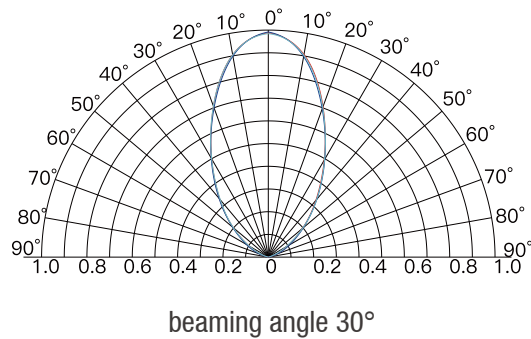


CIE Color Coordinate

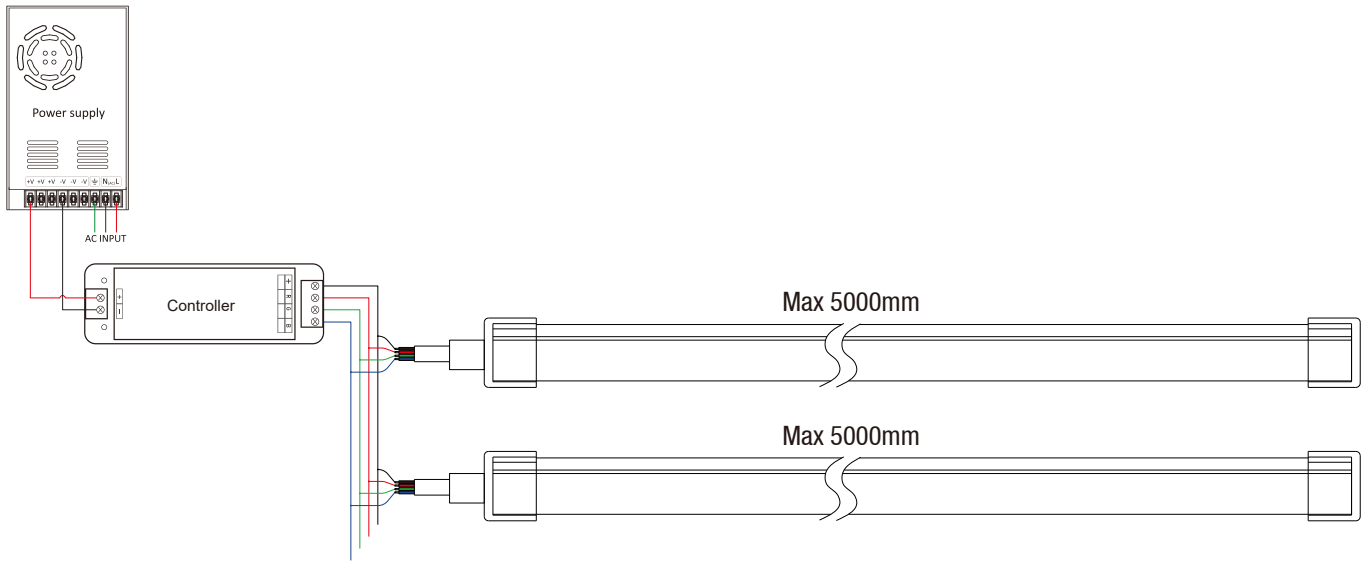


Colour	Wave length
R	620-625
G	520-525
B	465-470

Beaming Angle



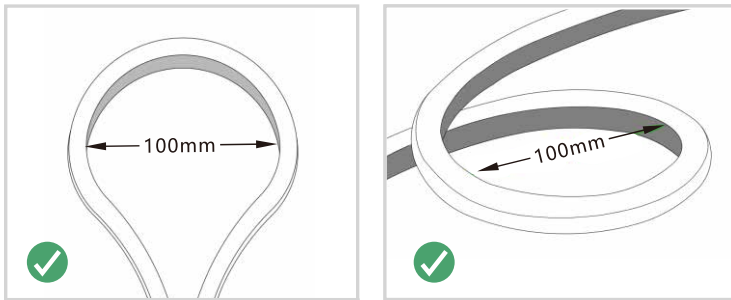
Wire Connection



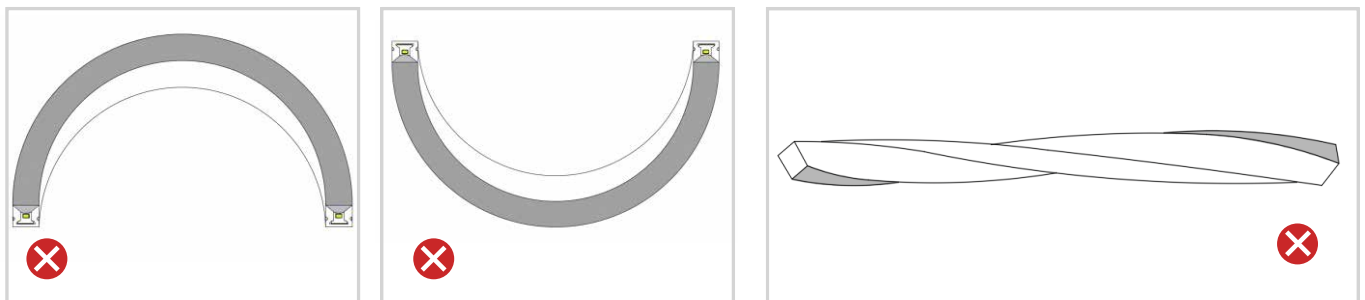
Bending Direction

Please note when installing the strip, not all directions can be bent, bending shape, bending diameter size and direction, please follow the legend below to avoid damage to the LED strip.

Correct Way to Bend

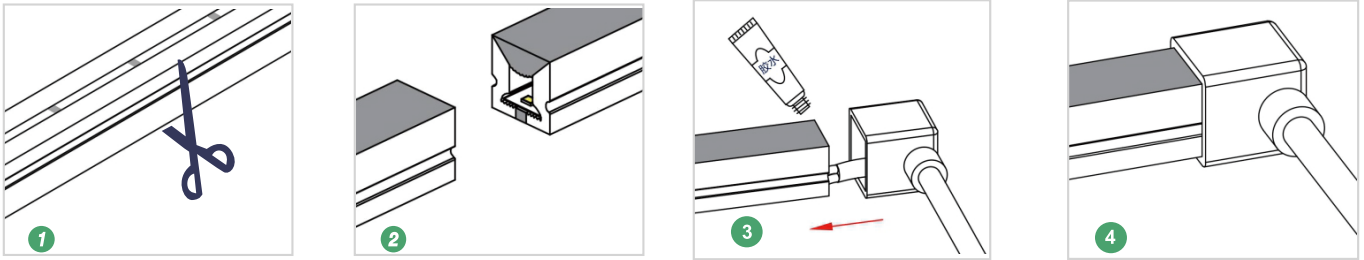


Wrong Way to Bend

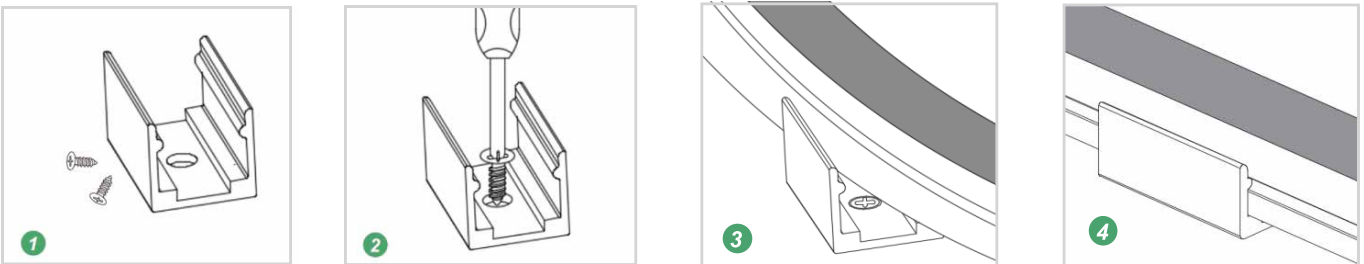


Installation Method

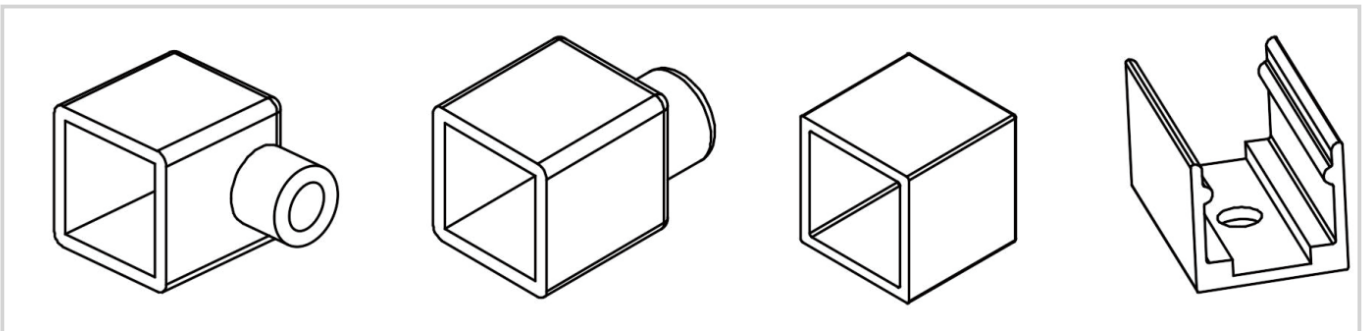
Shear Mounting



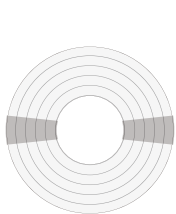
Accessories installation



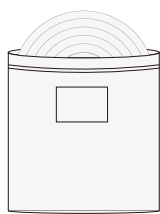
Mounting Accessories



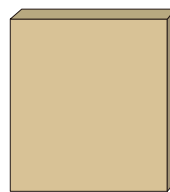
Packing information



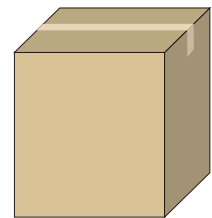
5 meters per roll



One roll per inner box



2 Bag per box



10 Box per carton

Part Number	Outer Box Dimension (mm)	Inner Box Dimension (mm)	Quantity Per Carton (m)	Net Weight (kg)	Gross Weight (kg)
SH60JC3-G1212-Q	L365*W650*H390	L350*W350*H35	100	16	19.6

Given the packing manner difference, the actual packing information is subject to that for the real products.

Instructions

- 01) Disassembling or modifying the product is not allowed.
- 02) Installation with power on is not allowed.
- 03) Any organic solvent chemical is not allowed.
- 04) Isolation and corrosion prevention on all wiring points and wire ends.
- 05) Make sure the power wire is big enough and ensure the voltage and connection are all correct before powering on.
- 06) Installation and maintenance should be done by professional staff.
- 07) The power wire between the power supply and LED strips should be less than two meters to keep the same brightness on all parts.
- 08) Do not power on during installation or assembly of the light strip, to avoid short-circuiting and burning out of the light strip due to misoperation during the operation.
- 09) The lamp beads can only be powered on when they are connected, installed, and correct.
- 10) When installing, try to avoid excessive bending and twisting of the light strip, so as not to damage the conductive components and cause defects.
- 11) The LED flexible light strip can only be cut at the place where the cut mark is printed on the light strip. Cutting at other places will damage the circuit of the light strip and cause some lamp beads to not light up.
- 12) Only two sections of LED flexible light strips with the same specification and voltage can be connected in series, and the total length cannot exceed the maximum cascade length.
- 13) The minimum bending diameter of this product: >100mm.

Declaration

- 01) To ensure the safety, the broken wires need to be replaced by the manufacturer or the service agent, or by the qualified staff.
- 02) The given data in the specification is the laboratory data, there may be discrepancy found in the actual products.
- 03) The given drawings in the specification are only for reference, there may be discrepancy found in the actual products.
- 04) The products are subject to change without prior notification.



Official Website



WeChat Public

SHENZHEN LEADBEYOND LINEAR LIGHTING CO., LTD.

Tel: +86-755-83056231 info@leadbeyondled.com www.leadbeyondled.net www.leadbeyondled.com

Company Address.: 28F, Luban Building, Hongli West Road, Futian District, Shenzhen 518034, China

Factory Address: 3F, 4F and 6F, Buiding A&B Xinyongfeng Industrial Area, Yingrenshi Village, Shiyan Town, Bao'an District, Shenzhen 518108, China